

REGULATIONS OF THE INTERNATIONAL PROFESSIONAL EXCELLENCE CONTEST „PLUMBER 2023”

SECTION I GENERAL PROVISIONS

1. The Regulations of the International Professional Excellence Contest (hereinafter referred to as the Contest) shall govern the objectives of the Contest, the participants, the organization of the Contest, the evaluation and the award procedure.
2. The Organizer of the contest – Energy Department of Kaunas Education Centre of Technologies.
3. The objectives of the competition:
 - 3.1. to develop students' professional mastery, to raise the prestige of vocational education and training;
 - 3.2. to strengthen students' motivation;
 - 3.3. to develop students' creativity, initiative and cooperation;
 - 3.4. to develop relationships with business institutions;
 - 3.5. to encourage the initiative and creativity of VET teachers.
4. The time of the contest: November 22nd, 2023, 10 a.m. to 3 p.m.
5. The place of the contest - Energy Department of Kaunas Education Centre of Technologies (R. Kalantos 1A, Kaunas).
6. Contestants are students of plumber programmes from vocational schools of the Republic of Lithuania and foreign countries.

SECTION II ORGANIZATION OF THE CONTEST

7. One student from each educational institution participates in the competition. Age of participants is up to 25 years. (It is recommended to select a reserve contestant in case of illness of the main participant).
8. Contestants perform a practical task - install the tubular assemblies according to the drawings provided (Annex 1) and test them hydraulically. There are connections of copper and plastic pipes (copper soft soldering, PPR polyfusion welding).
9. The competition task starts on November 22nd, 2023, at 10:30 a.m. and ends on November 22nd, at 2:00 pm.
10. The contestant must wear work clothes, footwear and use his/her own personal protective equipment.
11. The participant must have a student card.
12. Students must be introduced to the rules of work safety upon signature prior to their practical work by signing the "Occupational Safety and Health Instruction At The Workplace Registration Sheet" and "Fire Safety Briefings On the Record Sheet".
13. The organizer of the competition provides each participant with materials and suitable working conditions that meet professional and occupational safety requirements for the competition task.

14. The work of the contestants is evaluated by a jury consisting of vocational teachers who accompanied the contestants:

14.1. the jury of the competition selects the chairman of the jury from the vocational teachers (who accompanied the contestants) by voting;

14.2. there will be as many jury members as there will be vocational teachers (who have accompanied the contestants);

14.3. the members of the jury shall evaluate all participants taking part in the competition except for the participant who has been accompanied by him to the competition.

15. Contestants who wish to participate shall fill in the [PARTICIPATION FORM](#) by November 8th, 2023.

16. Photographs and videos of the participants and the activities and advertising in the media (including social media) related to the competition are allowed on the site of the professional mastery competition.

SECTION III EVALUATION

17. Contestants are assessed by the evaluation criteria outlined in the Contest Evaluation Rules (Annex 2)

18. The score of each member of the jury shall be summed up and the arithmetic average calculated by the jury chairman. The winner is the participant with the highest score. In the event of an equal number of points, the winner is the participant who completed the task faster.

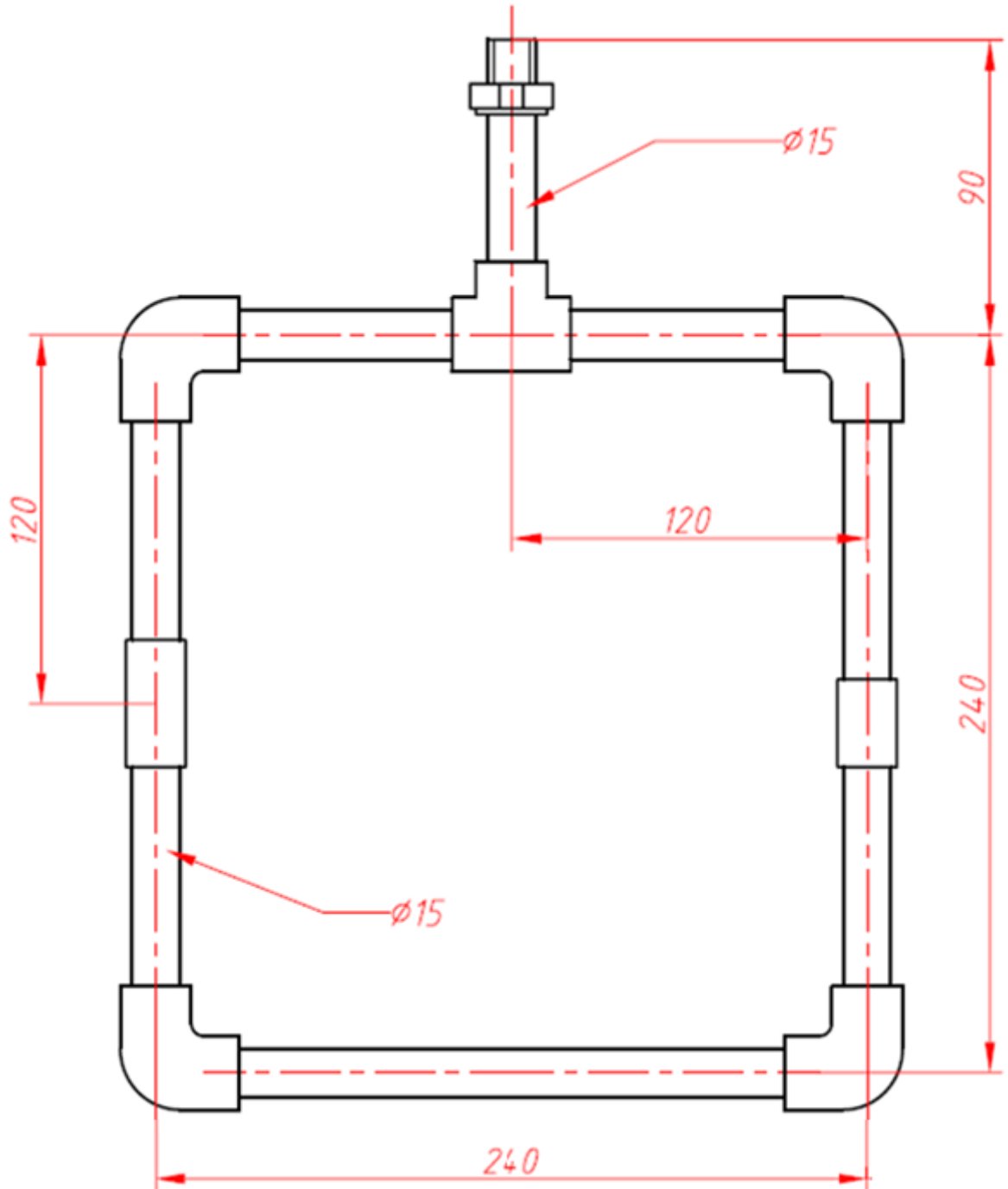


SECTION IV FINAL PROVISIONS

19. First, second and third place winners will be awarded. All contestants receive a participation certificate.

20. Additional information on the organization of the competition is provided by the Head of Vocational training of Energy Department, Dovilė Rudokaitė, dovile.rudokaite@kautech.lt .

Annex 1 to the regulations
of International professional
excellence contest "Plumber 2023"



CRITERIA FOR THE EVALUATION OF INTERNATIONAL PROFESSIONAL EXCELLENCE CONTEST “CHAIR 2021”

The first fastest practical task performed is estimated at 100 points, the second - 90, the third - 80, the fourth - 70, the fifth - 60, etc.

The number of points shall be reduced for:

- gross violations of the rules of safe work – by 10;
- deviation of more than 1 cm for each dimension – by 5;
- the use of tools not for their intended purpose – by 5;
- the elimination of tightness defects after the first hydraulic test – by 10, after the second – by 20.

Each member of the commission can award additional points for the quality and aesthetic appearance of the work performed: 1st place – 20 points, 2nd place – 15 points, 3rd place – 10 points. Additional points are awarded only after the task has been fully completed.

Notes:

If the contestant communicates with his / her accompanying person or with another third party, his / her result may be reduced.

The evaluation committee has the right to exclude the contestant if he / she behaves dishonestly, does not comply with the rules, safety requirements or the instructions of the commission and behaves in a way that would impair the proper conduct of the contest.